

2MP 22x Starlight WDR Network IR Bullet Camera

IPC252ERA-X22DUP



Key Features

Optics

- Starlight illumination
- Accurate and fast focusing
- Smart IR, up to 200m (656ft) IR distance
- Up to 120dB WDR (Wide Dynamic Range)
- Auto day/night functionality
- Optical glass window with higher light transmittance
- IR anti-reflection window to increase the infrared transmittance

Compression

- Ultra 265, H.265, H.264, MJPEG
- Embedded smart algorithm
- Triple Streams
- ROI (Region of Interest)
- 9:16 corridor format
- Customized OSD

Network

- ONVIF Conformance

Structure

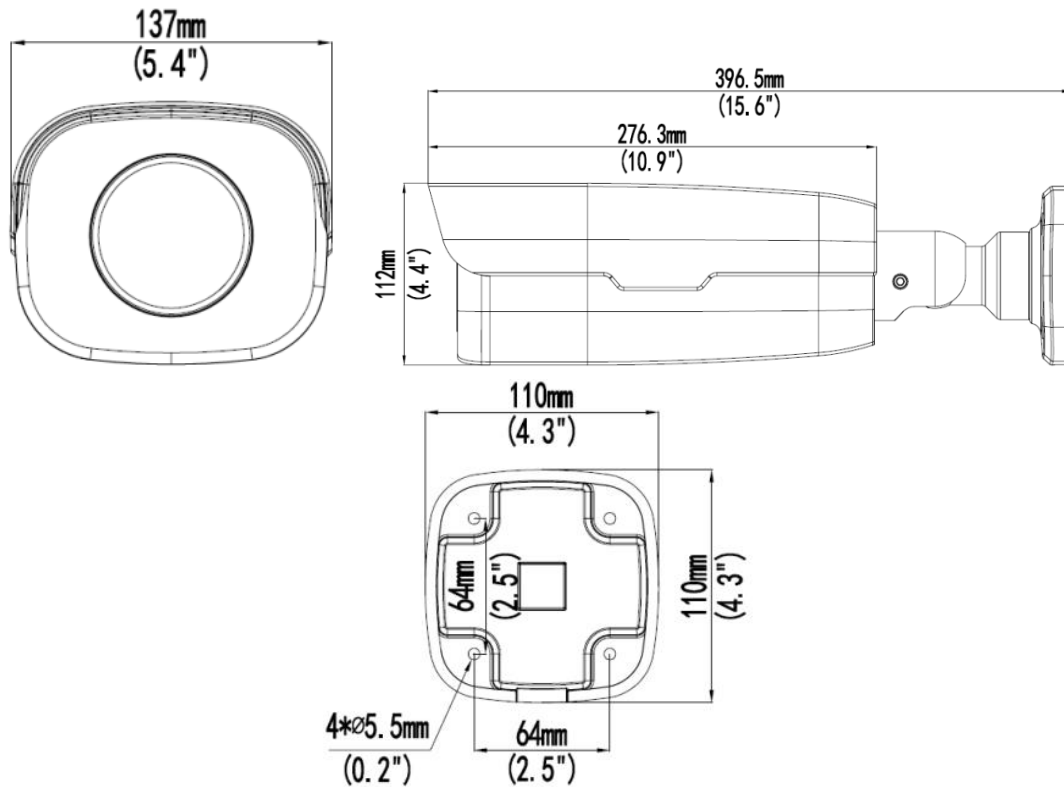
- Wide temperature range: -40°C ~ 60°C (-40°F ~ 140°F)
- Wide voltage range of ±25%
- IP67
- 3-Axis

Specifications

IPC252ERA-X22DUP																
Camera																
Sensor	1/1.8", 2.0 megapixel, progressive scan, CMOS															
Lens	6.5 ~ 143mm, AF automatic focusing and motorized zoom lens															
Optical Zoom	22															
DORI Distance	<table border="1"> <thead> <tr> <th>Lens (mm)</th> <th>Detect (m)</th> <th>Observe (m)</th> <th>Recognize (m)</th> <th>Identify (m)</th> </tr> </thead> <tbody> <tr> <td>6.5</td> <td>78</td> <td>31.2</td> <td>15.6</td> <td>7.8</td> </tr> <tr> <td>143</td> <td>1716</td> <td>686.4</td> <td>343.2</td> <td>171.6</td> </tr> </tbody> </table>	Lens (mm)	Detect (m)	Observe (m)	Recognize (m)	Identify (m)	6.5	78	31.2	15.6	7.8	143	1716	686.4	343.2	171.6
	Lens (mm)	Detect (m)	Observe (m)	Recognize (m)	Identify (m)											
	6.5	78	31.2	15.6	7.8											
143	1716	686.4	343.2	171.6												
Angle of view (H)	59° ~ 3°															
Angle of View (V)	34.6° ~ 1.6°															
Angle of View (O)	72.6° ~ 3.6°															
Adjustment angle	<table border="1"> <thead> <tr> <th>Pan: 0° ~ 360°</th> <th>Tilt: 0° ~ 90°</th> <th>Rotate: 0° ~ 360°</th> </tr> </thead> <tbody> <tr> <td></td> <td></td> <td></td> </tr> </tbody> </table>	Pan: 0° ~ 360°	Tilt: 0° ~ 90°	Rotate: 0° ~ 360°												
Pan: 0° ~ 360°	Tilt: 0° ~ 90°	Rotate: 0° ~ 360°														
Shutter	Auto/Manual, 1 ~ 1/100000s															
Minimum Illumination	Colour: 0.0005Lux (F1.5, AGC ON) 0Lux with IR															
Iris	Auto/Manual, F1.5 ~ F3.4, DC-Iris															
Day/Night	IR-cut filter with auto switch (ICR)															
Digital noise reduction	2D/3D DNR															
S/N	>52dB															
IR Range	up to 200m (656ft) IR range															
Defog	Digital Defog															
WDR	120dB															
Video																
Video Compression	Ultra 265, H.265, H.264, MJPEG															
H.264 code profile	Baseline profile, Main Profile, High Profile															
Frame Rate	Main Stream: 2MP (1920*1080), Max 60fps; Sub Stream: 2MP (1920*1080), Max 60fps; Third Stream: D1 (720*576), Max 60fps															
9:16 Corridor Mode	Supported															
ROI	Supported															
HLC	Supported															
BLC	Supported															
OSD	Up to 8 OSDs															

Motion Detection	Up to 4 areas
Privacy Mask	Up to 8 areas
Smart	
Behavior Detection	Intrusion, cross line, motion detection
Intrusion	Enter and loiter in a pre-defined virtual region
cross line	Cross a pre-defined virtual line
motion detection	Moving within a pre-defined virtual region
Recognition	Face detection, Audio detection
Intelligent Identification	Defocus, Scene Change, Object Left, Object Moving
Statistical Analysis	People counting
General Function	Watermark, IP Address Filtering, Tampering Alarm, Alarm input, Alarm output, Access Policy, ARP Protection, RTSP Authentication, User Authentication
Audio	
Audio Compression	G.711
Two-way audio	Supported
Suppression	Supported
Sampling Rate	8KHZ
Storage	
Edge Storage	Micro SD, up to 256GB
Network Storage	ANR
Network	
Protocols	IPv4, IPv6, IGMP, ICMP, ARP, TCP, UDP, DHCP, PPPoE, RTP, RTSP, RTCP, DNS, DDNS, NTP, FTP, UPnP, HTTP, HTTPS, SMTP, 802.1x, SNMP, QoS
Compatible Integration	ONVIF (Profile S, Profile G, Profile T), API
Interface	
Audio I/O	Audio cable
	1 Input: impedance 35kΩ; amplitude 2V [p-p]
	1 Output: impedance 600Ω; amplitude 2V [p-p]
Alarm I/O	2/1
Serial Port	1 RS485
Network	1 RJ45 10M/100M Base-TX Ethernet
Video Output	1 BNC, impedance 75Ω; amplitude 1V [p-p]
General	
Power	AC 24V±25%, -P: PoE (IEEE 802.3at)
	Power consumption: Max 21W
Dimensions (L × W × H)	396.5 × 137 × 112mm (15.6" × 5.4" × 4.4")
Weight	3.7kg (8.2lb)
Working Environment	-40°C ~ 60°C (-40°F ~ 140°F), Humidity: ≤95% RH (non-condensing)
Ingress Protection	IP67
Reset Button	Supported

Dimensions



Zhejiang Uniview Technologies Co., Ltd.

Building No.10, Wanlun Science Park, Jiangling Road 88, Binjiang District, Hangzhou, Zhejiang, China (310051)

Email: overseasbusiness@uniview.com; globalsupport@uniview.com

<http://www.uniview.com>

©2019 Zhejiang Uniview Technologies Co., Ltd. All rights reserved.

*Product specifications and availability are subject to change without notice.